



**HEAT & GLO™**  
Where everything comes together



**Cerona**  
Direct Vent Gas Fireplaces





Good looking  
& hard working



**Top photo:** Cerona shown with natural knotty alder Sonoma mantel, Marron brown marble and Valencia front in new bronze

**Above photo:** Cerona shown with Apollo cast stone surround and Galleria doors in aged brass

**Cover photo:** Cerona shown with Cultured Stone dry stack ledgestone, Chateau Deluxe front in new bronze and arch trim stone



State-of-the-art IntelliSwitch300 wall control ships standard (WSK-300)



Cerona takes serious heat output and stylishly wraps it in a classic arched fireplace. Plus it's incredibly efficient, the best of any Heat & Glo fireplace. High style, high heat and high efficiency. Available in 36" and 42" models.



**CERONA** shown with Cultured Stone dry stack ledgerstone, Chateau Deluxe front in new bronze and arch trim stone

Cerona is a whole hearth system, with a great selection of mantels, surrounds, fronts and finishes to suit any interior style.

Our patented FireBrick® material creates a true arched firebox, crafted with cantilevered corners to look just like a masonry hearth.

Don't need all the heat? Cerona is easily adjustable, and can be turned down by 30%.

Optional heat management kits—Heat Zone® and Heat Duct—put all the heat to use, redirecting any excess warm air to other areas of the home.

# Cerona

Arched elegance, robust heat and high efficiency—it's a powerful combination.

## Decorative Fronts and Doors

Customize Cerona with one of these fronts or doors, each available in Aged Brass, Black, Graphite or New Bronze.

**Chateau Front**



**Chateau Deluxe Front**



**Valencia Front**



**Galleria Doors**



Aged Brass



Black



Graphite

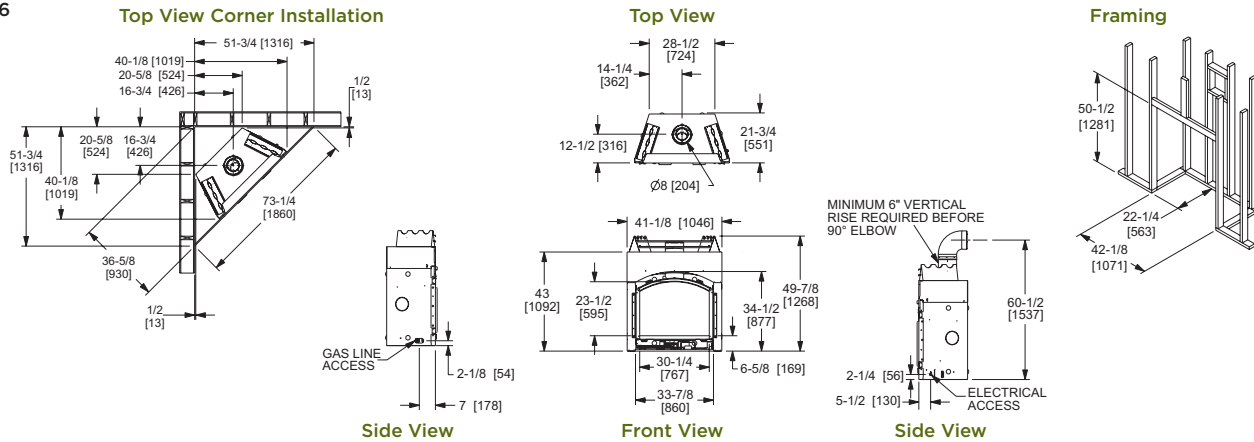


New Bronze

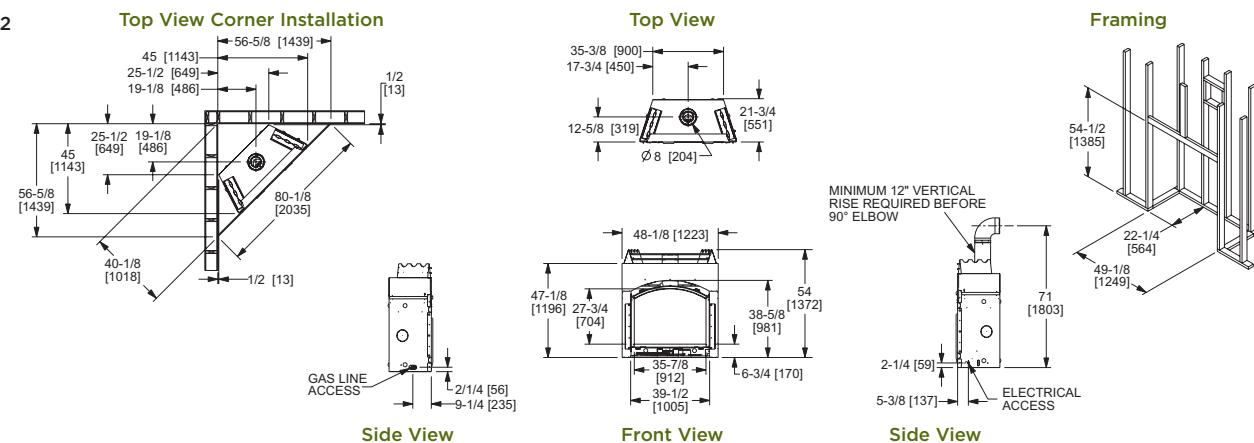
## Cerona Specifications

MODEL	HEIGHT		FRONT WIDTH		BACK WIDTH		DEPTH		GLASS SIZE	BTU/HOUR INPUT
	Actual	Framing	Actual	Framing	Actual	Framing	Actual	Framing		
Cerona-36	49-7/8	50-1/2	41-1/8	42-1/8	28-1/2	42-1/8	21-3/4	22-1/4	30-1/4 x 23-1/2	25,000-37,500 (NG)
Cerona-42	54	54-1/2	48-1/8	49-1/8	35-3/8	49-1/8	21-3/4	22-1/4	35-7/8 x 27-3/4	32,000-48,000 (NG)

### Cerona-36



### Cerona-42



Dimensions above are in inches; technical drawings are in inches and millimeters. Reference dimensions only. We recommend measuring individual units at installation. Assumes the use of 1/2" drywall. NOTE: Non-combustible material is allowed over this dimension. Make sure you do NOT cover the decorative door opening.

Refer to installation manual for detailed specifications on installing this product. Heat & Glo reserves the right to update units periodically. The flame and ember appearance may vary based on the type of fuel burned and the venting configuration used. Pictures in this brochure are not true representations of the fireplaces, flames and/or finishes.

## Cerona Features

- Available in 36" and 42" models
- Multiple mantels, fronts, surrounds and finishes supply a range of looks from bold to elegant
- AFUE rated 71%
- Cantilevered firebox design with handpainted FireBrick
- IntelliSwitch300 control standard
- Fan comes standard
- Mystifire® burner
- Optional heat management kits—Heat-Zone® and Heat-Duct

## IntelliFire™

Our exclusive, state-of-the-art IntelliFire ignition system reduces gas consumption and thermogenerator wear by providing a pilot flame only when needed. It also supplies a battery backup system to run the fireplace during a power outage.

## Heat-Zone

Heat-Zone climate control system turns your fireplace into a flexible, energy-saving heat source by transferring excess heat from your fireplace to other locations in your home.

## Heat-Duct

Heat-Duct improves furnace efficiency and room comfort by pulling excess heat away from the fireplace, out of the hearth room and into your furnace's cold air return ducting.

## Limited Lifetime Warranty

The strongest in the industry, Heat & Glo guarantees protection for all gas units, including a lifetime warranty of the most important aspects: fiber logs, stainless steel burner, firebox and heat exchanger.

**HEAT & GLO**

20802 Kensington Boulevard, Lakeville, MN 55044  
888-427-3973 952-985-6000

E-mail: info@heatnglo.com  
Web: heatnglo.com

A brand of Hearth & Home Technologies Inc.



HNG-1065U-0307